

JR LINE

JR645

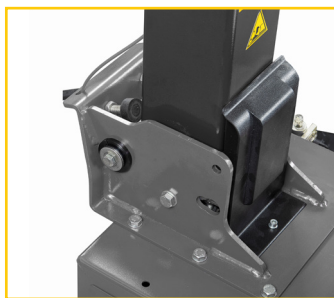
AUTOMATIC TYRE CHANGER



JR 645



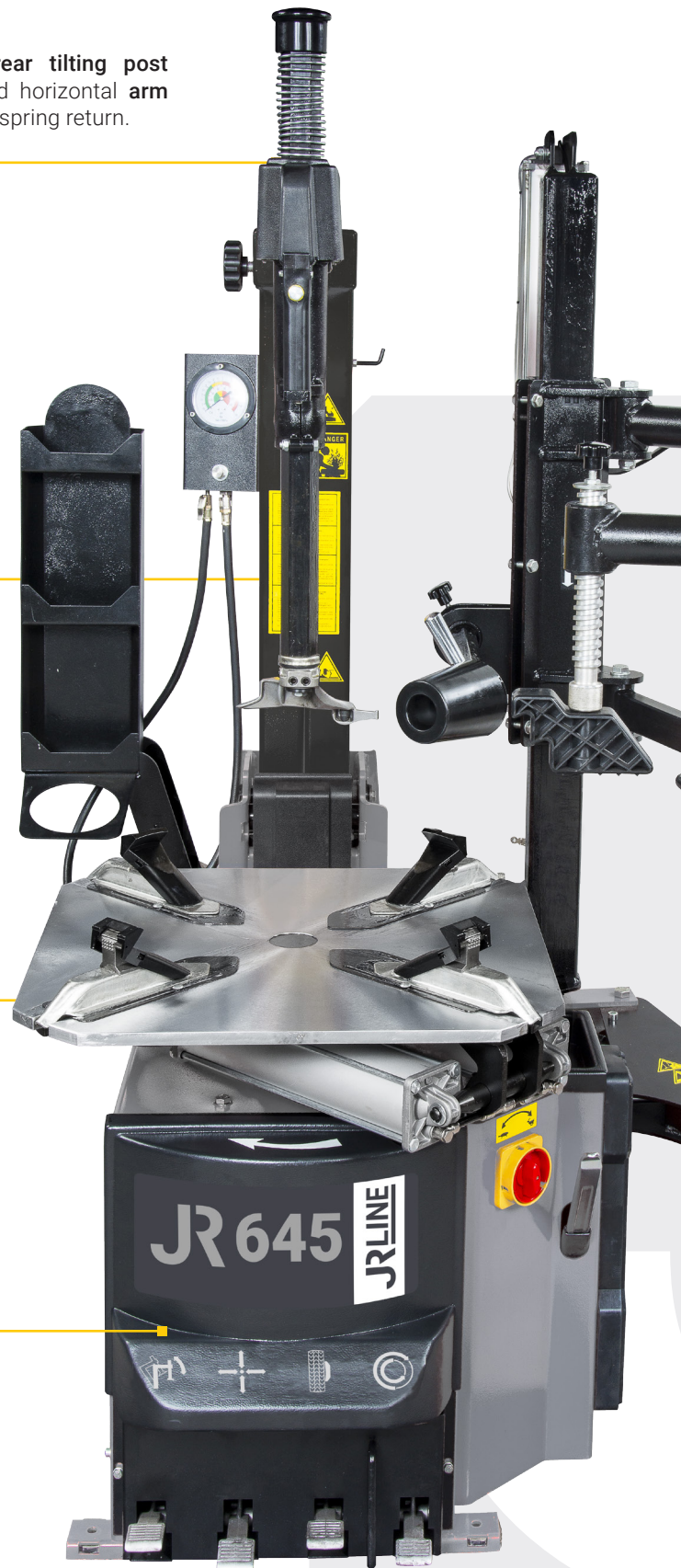
- Automatic tyre changer with **rear tilting post** and simultaneous hexagonal and horizontal **arm locking system**, vertical arm with spring return.



- Vertical post equipped with **conic bushes** and play recovery systems which allow eliminating post flexure.

- Self-centring plate with **12" - 26" locking capacity**, double rotation and two speeds.

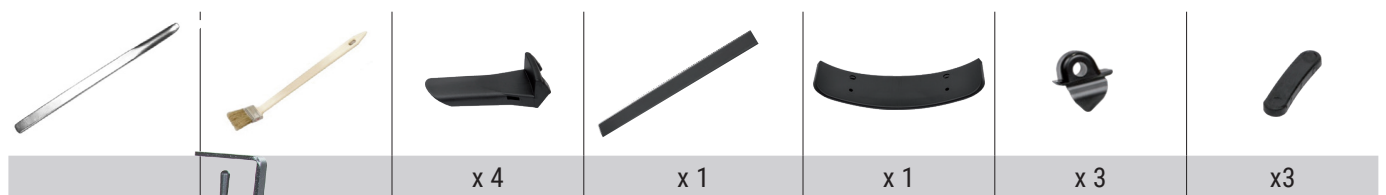
- Body with **extractable pedal unit** to facilitate technical service, robust **reduction unit**, CE-certified inflation pressure limiter and pedal-driven inflation device. Supplied standard with a functional tool tray on the left-hand side.



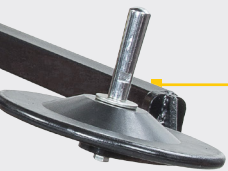
Automatic tyre changer ideal for use in professional repair shops and tyre shops. Designed to operate on car and light commercial vehicle wheels. Supplied standard with the hp2 side presser, it allows easily and correctly operating on run-flat and uhp tyres up to 26".

STANDARD EQUIPMENT

The machine is supplied standard with a complete set of plastic protections to operate correctly on alloy rims (mounting head, bead breaker blade, bead lifter lever and self-centring plate jaw).



- Equipped with the **HP2 side presser** that facilitates mounting and dismounting operations of Run-flat and UHP tyres.



- Bead breaker with **double-acting cylinder**, **articulated blade** and **adjustable bead breaker** blade penetration stroke limiter.



OPTIONAL ACCESSORIES



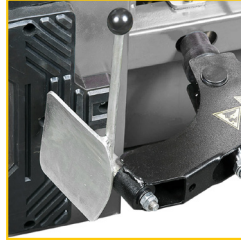
TI EXTERNAL KIT - 46MB202598

- External inflating kit for tubeless tyres including air tank to be fixed on the machine



KCR - 93Y005210

- Quick interchangeable mounting head system, composed by adaptors and 2 mounting heads (one in plastic and one for raised spokes).

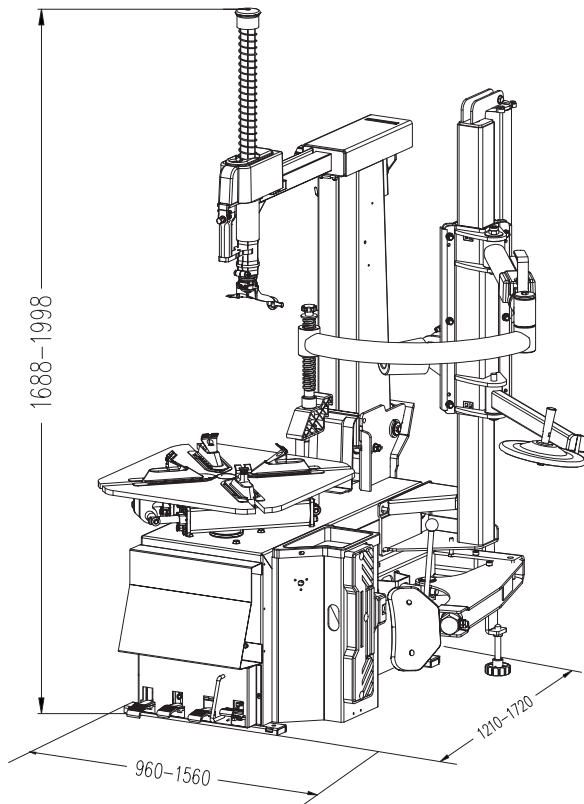


SMA - 93Y005101 TM - 93Y005053 PRM/Y - 93Y005140

- Accessories to operate on motorcycle or ATV wheels

For more information see the complete brochure

TECHNICAL DATA



JR 645

Clamping capacity	12" - 26"
External clamping	12" - 24"
Internal clamping	14" - 26"
Max wheel diameter	1200 mm (47")
Max wheel width	340 mm (13,5")
Bead breaker force	3080 kgf (6790 lbf)
Turntable speed	6-12 rpm (8 rpm 1ph)
3-Phase motor	0.8 kW (1.07 Hp)
1-Phase motor	1.1 kW (1.47 Hp)
Operating pressure	8 - 10 bar (116 - 145 psi)
Noise level	< 70 ± 3 dB (A)
Net weight	355 kg (782 lbs)
Gross weight	370 kg (815 lbs)
Packing dimensions	1210 x 1090 x 1900 mm

JR LINE

JR Line

SULCO
TOOLS & EQUIPMENT

NAPA AUTO PARTS